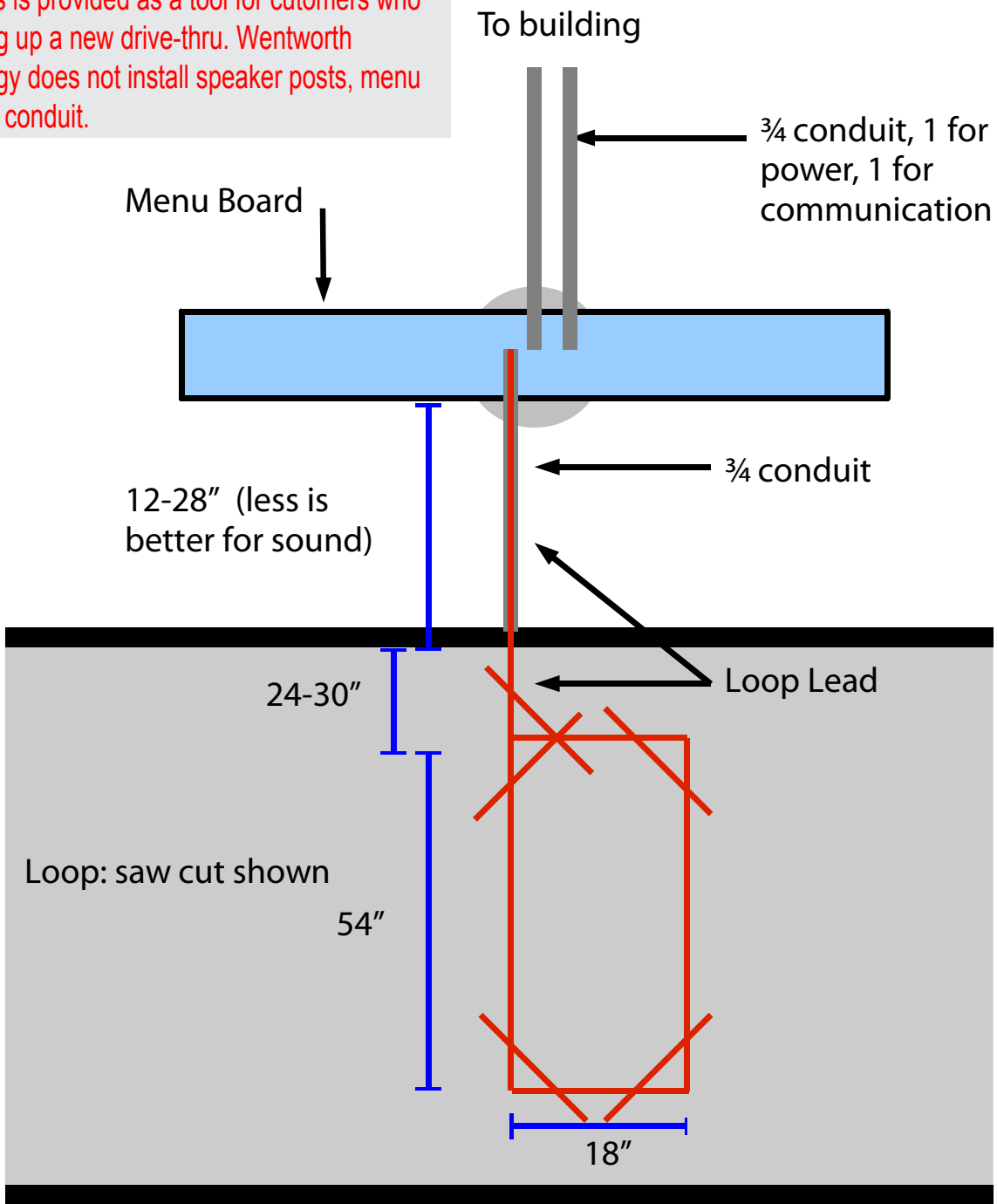


## Typical Curbside Menu Board Layout

Note: This is provided as a tool for customers who are setting up a new drive-thru. Wentworth Technology does not install speaker posts, menu boards or conduit.



Dimensions will vary according to menu board length